



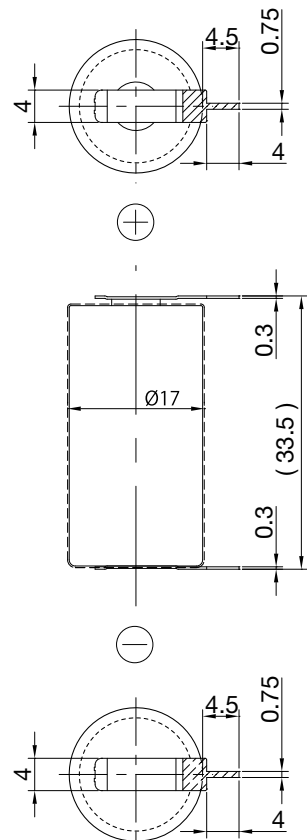
Manganese Dioxide Lithium Battery

maxell

CR17335 (1750mAh) Diagrams of Batteries with Terminals

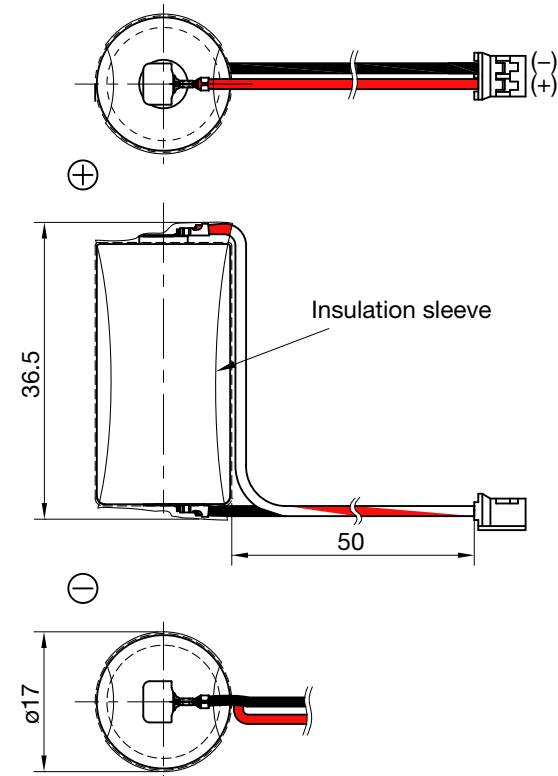
Horizontal & Through hole Type

CR17335 VO-T3



Wire connector Type

CR17335 WK 11



Housing : PHR-2(JST)
Contact : SPH-002T-P0.5S(JST)
Lead Wire : AWG26

 Tin plating