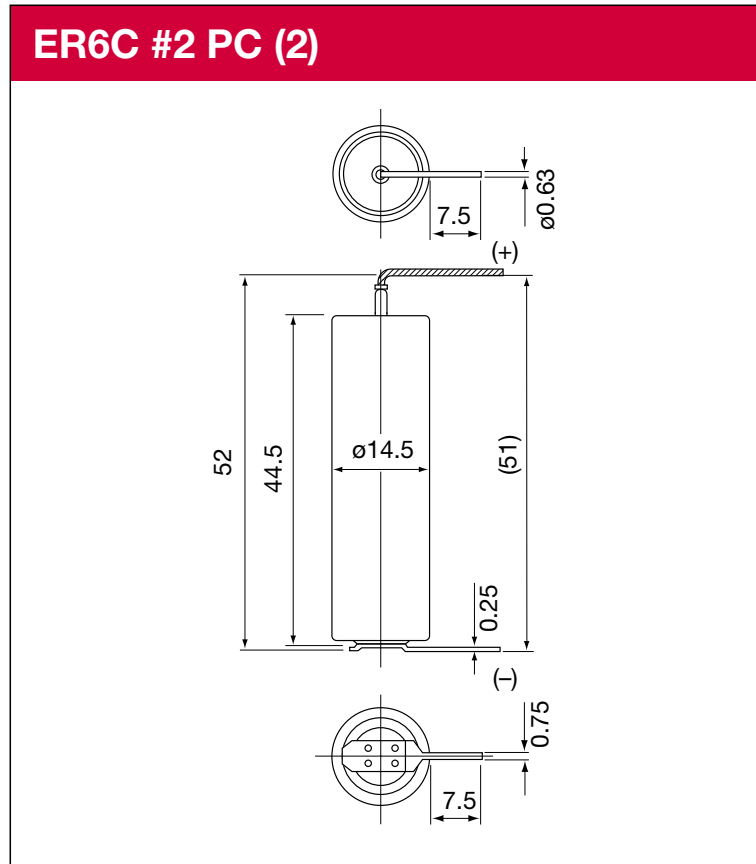


ER6C (1800mAh)

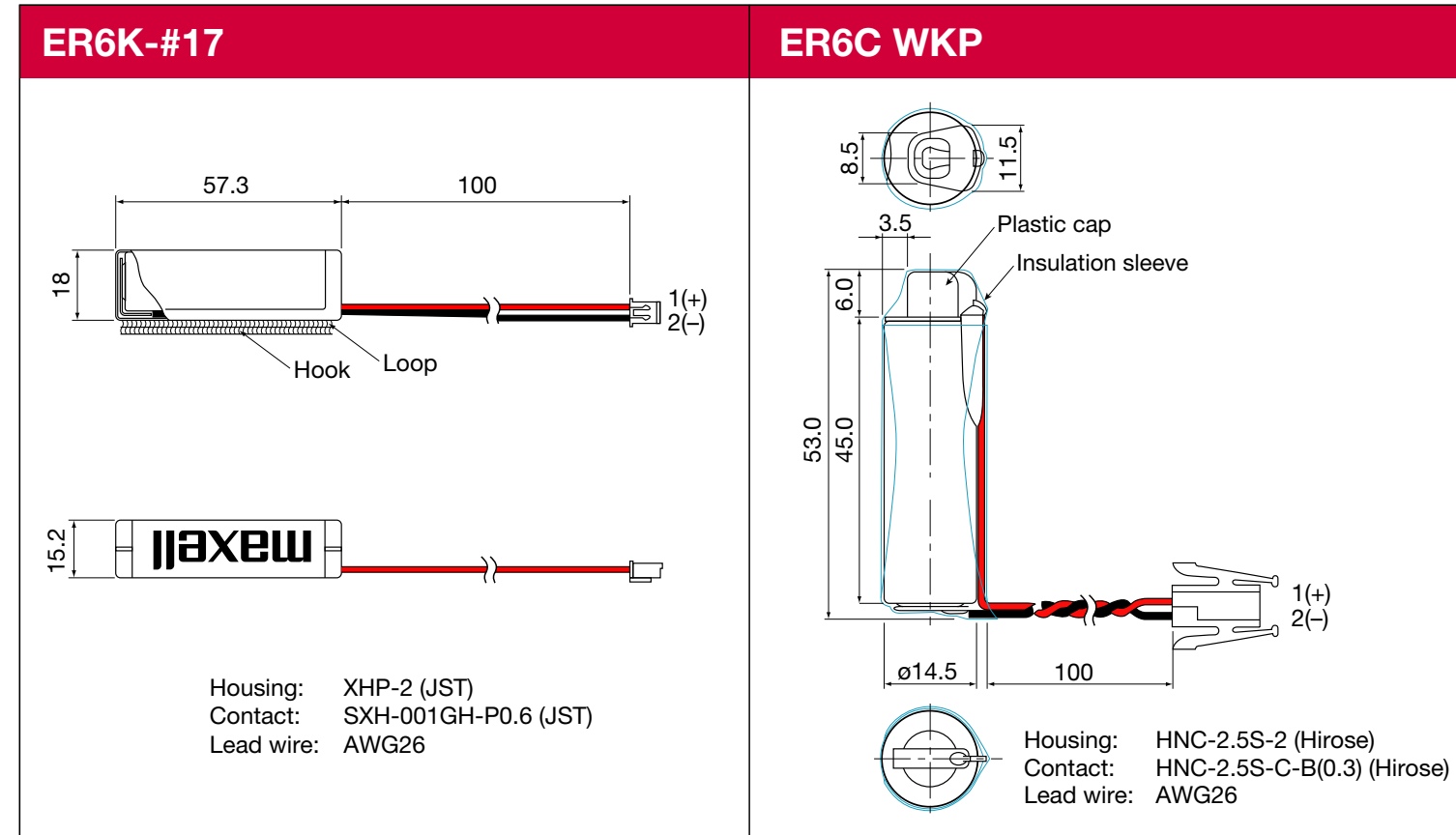
Diagrams of Batteries with Terminals

● External Dimensions (unit: mm)

Horizontal & Through hole Type



Wire connector Type



: Tin plating